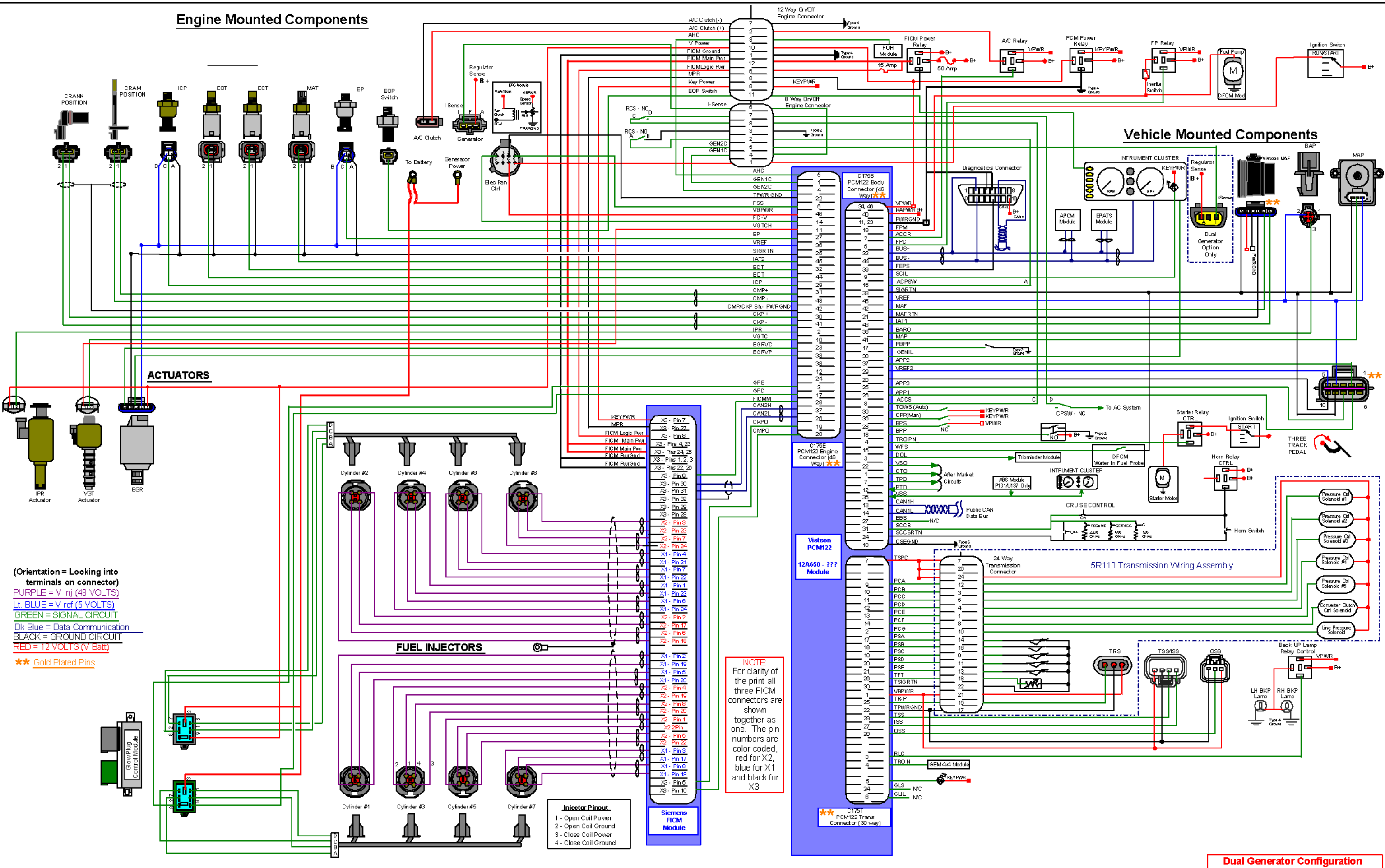


Engine Mounted Components

Vehicle Mounted Components



(Orientation = Looking into terminals on connector)
 PURPLE = V inj (48 VOLTS)
 Lt. BLUE = V ref (5 VOLTS)
 GREEN = SIGNAL CIRCUIT
 Dk Blue = Data Communication
 BLACK = GROUND CIRCUIT
 RED = 12 VOLTS (V Batt)
 ** Gold Plated Pins

NOTE:
 For clarity of the print all three FICM connectors are shown together as one. The pin numbers are color coded, red for X2, blue for X1 and black for X3.

Injector Pinout
 1 - Open Coil Power
 2 - Open Coil Ground
 3 - Close Coil Power
 4 - Close Coil Ground

Dual Generator Configuration